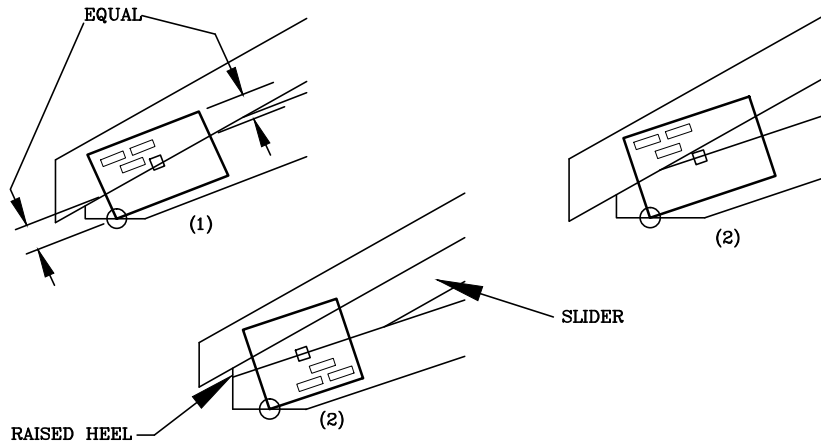


# HEEL JOINT PLATE LOCATION DETAILS

F1

PLATE CORNER HELD TO SEAT CUT:

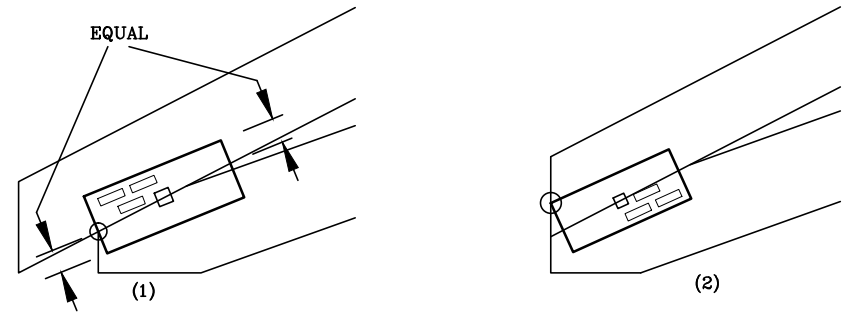
- (1) PLATE CENTERED VERTICALLY ON SCARF.
- (2) PLATE CENTERED VERTICALLY ON TOP EDGE OF BOTTOM CHORD.



F2

PLATE CENTERED VERTICALLY ON SCARF:

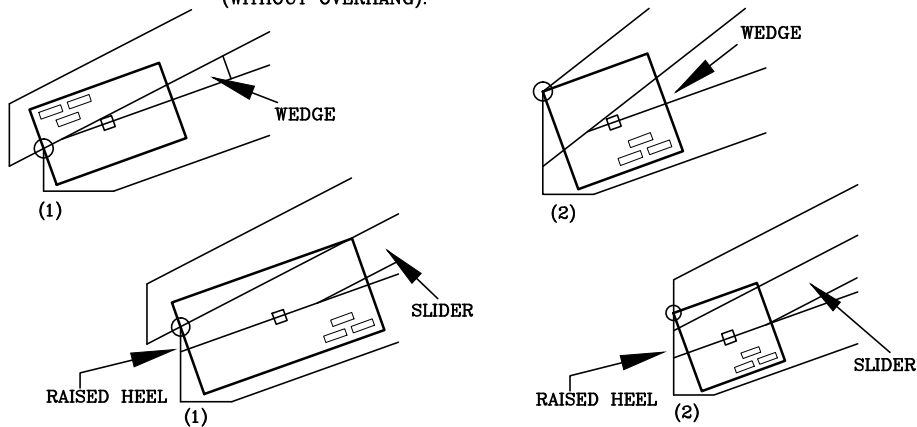
- (1) HELD AT TOP OF BUTT CUT (WITH OVERHANG).
- (2) HELD AT END OF TOP CHORD (WITHOUT OVERHANG).



F3

PLATE CENTERED VERTICALLY ON TOP EDGE OF BOTTOM CHORD:

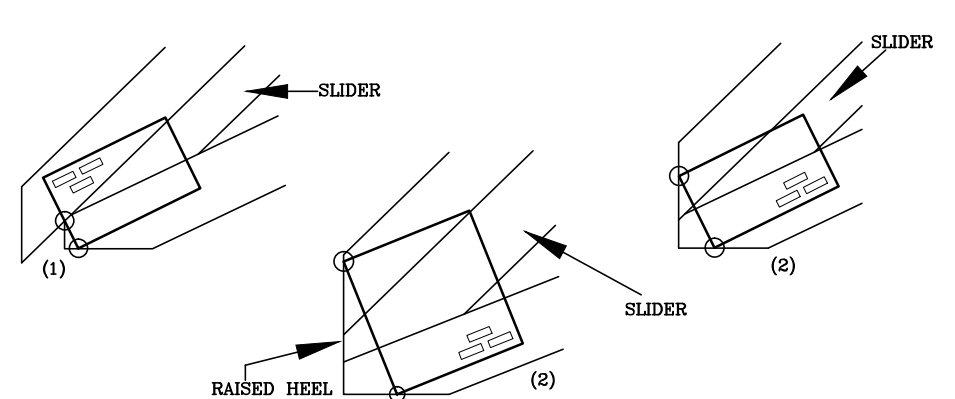
- (1) HELD AT TOP OF BUTT CUT (WITH OVERHANG).
- (2) HELD AT END OF TOP CHORD (WITHOUT OVERHANG).



F4

PLATE CORNER HELD AT SEAT CUT:

- (1) END OF PLATE HELD AT TOP OF BUTT CUT (WITH OVERHANG).
- (2) PLATE CORNER HELD AT END OF TOP CHORD (WITHOUT OVERHANG).



13389 Lakefront Drive  
Earth City, MO 63045

NOTES:  
ALL PLATE SLOTS ARE PARALLEL WITH THE BOTTOM CHORD UNLESS NOTED.  
WEDGE/SLIDER MAY BE REQUIRED AS SPECIFIED ON SEALED DESIGN.  
○ LOCATES PLATE CORNER OR FLUSH EDGE.  
□ CENTER OF PLATE.

NON-STD SCISSOR HEEL

160  
F

F1 THROUGH F4

DATE 10/01/14