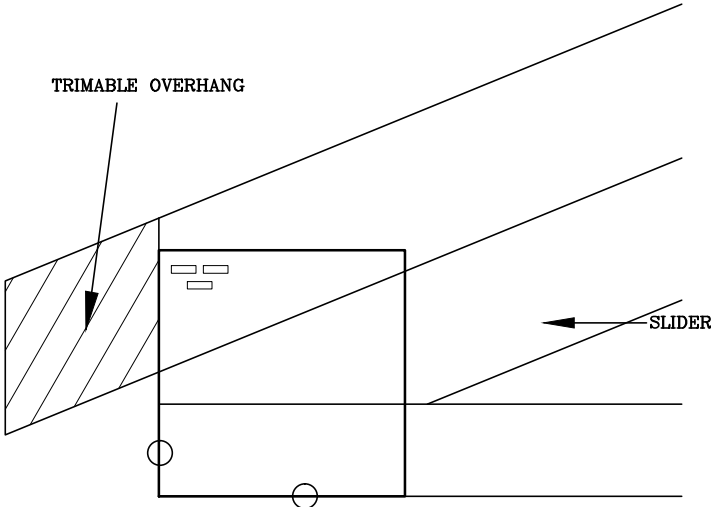


HEEL JOINT PLATE LOCATION DETAILS

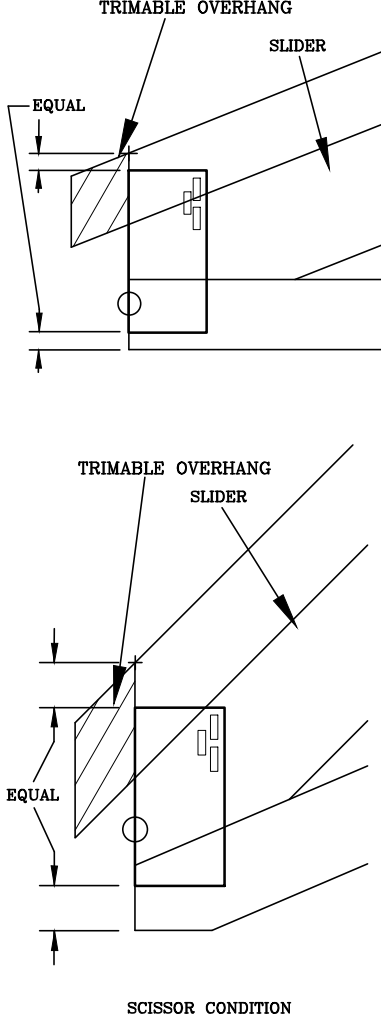
E4T

PLATE HELD FLUSH WITH BOTTOM AND END OF BOTTOM CHORD.



E5T

PLATE HELD FLUSH WITH END OF BOTTOM CHORD, EQUALLY SPACED AS SHOWN, AND ROTATED 90.



13389 Lakefront Drive
Earth City, MO 63045

NOTES:
○ LOCATES PLATE CORNER OR FLUSH EDGE.
□ LOCATES PLATE CENTER.

SLIDER HEEL
160
ET
E4T THROUGH E5T
DATE 10/01/14