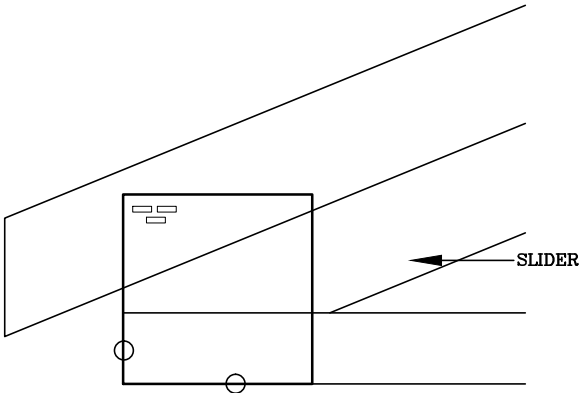


HEEL JOINT PLATE LOCATION DETAILS

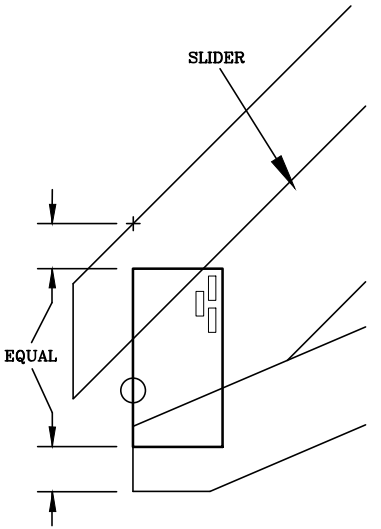
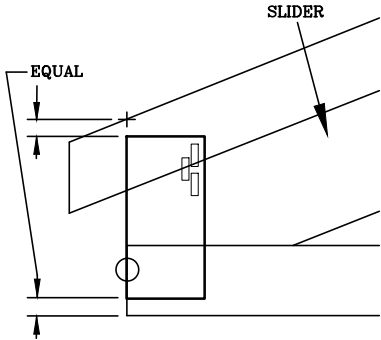
E4

PLATE HELD FLUSH WITH BOTTOM AND END OF BOTTOM CHORD.



E5

PLATE HELD FLUSH WITH END OF BOTTOM CHORD, EQUALLY SPACED AS SHOWN, AND ROTATED 90.



SCISSOR CONDITION

- NOTES:
 ○ LOCATES PLATE CORNER OR FLUSH EDGE.
 □ LOCATES PLATE CENTER.



13389 Lakefront Drive
 Earth City, MO 63045

SLIDER HEEL

160
E

E4 THROUGH E5

DATE 10/01/14