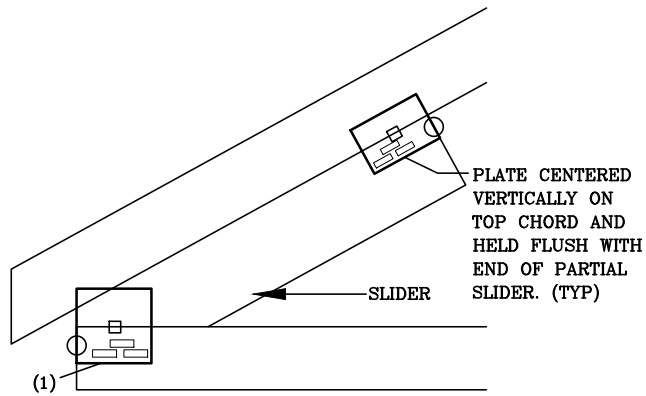


HEEL JOINT PLATE LOCATION DETAILS

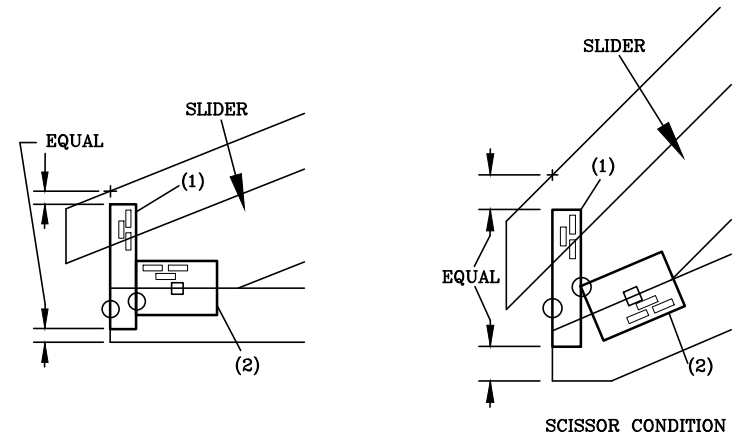
E1

- (1) PLATE CENTERED VERTICALLY ON TOP EDGE OF BOTTOM CHORD AND HELD FLUSH WITH END OF BOTTOM CHORD.



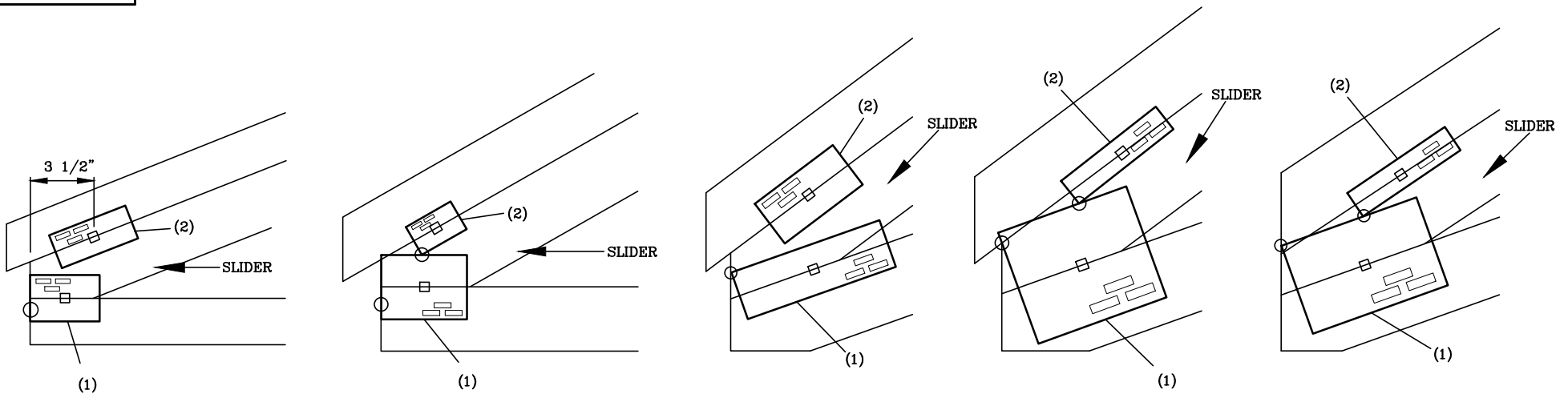
E3

- (1) PLATE HELD FLUSH WITH END OF BOTTOM CHORD, EQUALLY SPACED AS SHOWN, AND ROTATED 90°.
- (2) PLATE CENTERED VERTICALLY ON TOP EDGE OF BOTTOM CHORD AND HELD FLUSH WITH PLATE (1).



E2

- (1) PLATE CENTERED VERTICALLY ON TOP EDGE OF BOTTOM CHORD AND HELD FLUSH WITH END OF BOTTOM CHORD.
- (2) PLATE CENTERED VERTICALLY ON BOTTOM EDGE OF TOP CHORD AND LOCATED HORIZONTALLY AS SHOWN OR HELD AT PLATE (1).



NOTES:

- LOCATES PLATE CORNER OR FLUSH EDGE.
- LOCATES PLATE CENTER.



13389 Lakefront Drive
Earth City, MO 63045

SLIDER HEEL

160
E

E1 THROUGH E3

DATE 10/01/14