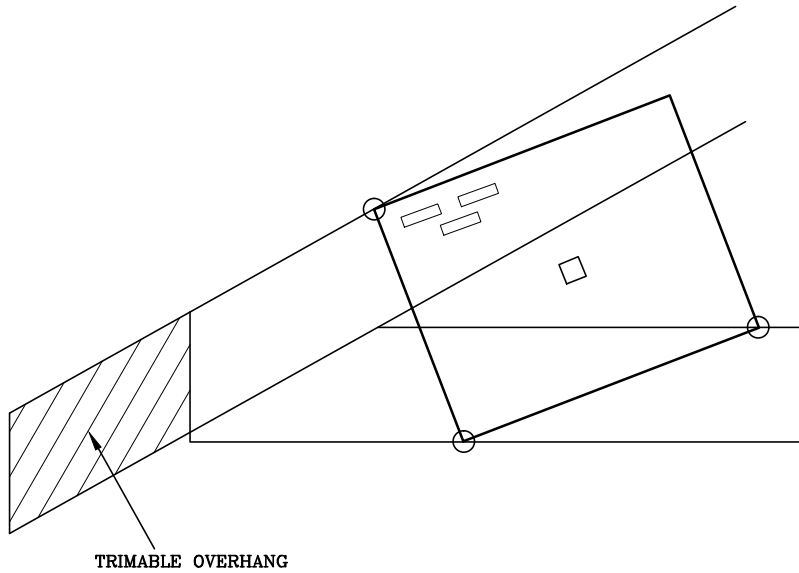


# HEEL JOINT PLATE LOCATION DETAILS

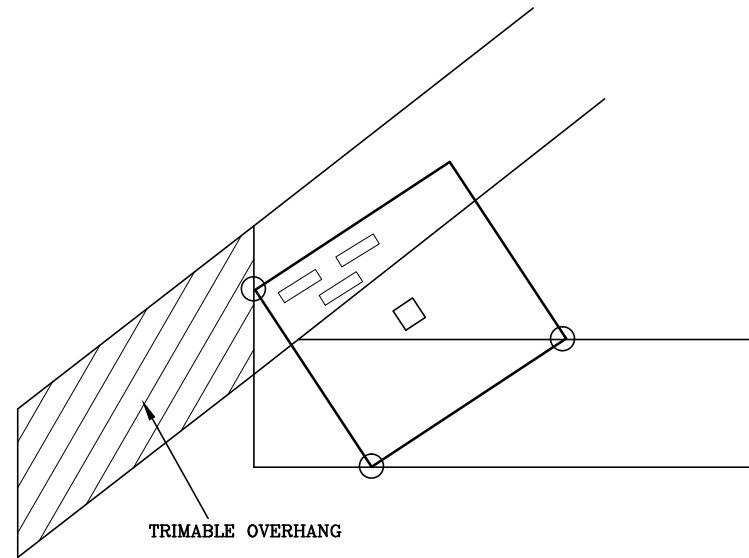
**B11RT**

LEFT SIDE OF PLATE CORNERS FLUSH TO TOP AND BOTTOM CHORD.  
LOWER RIGHT CORNER OF PLATE FLUSH TO UPPER EDGE OF BOTTOM CHORD.



**B12RT**

LOWER RIGHT CORNER OF PLATE FLUSH TO UPPER EDGE OF BOTTOM CHORD.  
LEFT SIDE OF PLATE FLUSH TO BOTTOM CHORD AND TO HEEL.



13389 Lakefront Drive  
Earth City, MO 63045

NOTES:  
WEDGE/SLIDER MAY BE REQUIRED AS SPECIFIED ON SEALED DESIGN.  
○ LOCATES PLATE CORNER OR FLUSH EDGE.  
□ LOCATES PLATE CENTER.

NON-STANDARD HEEL

160  
BT

B11RT THROUGH B12RT

DATE 10/01/14