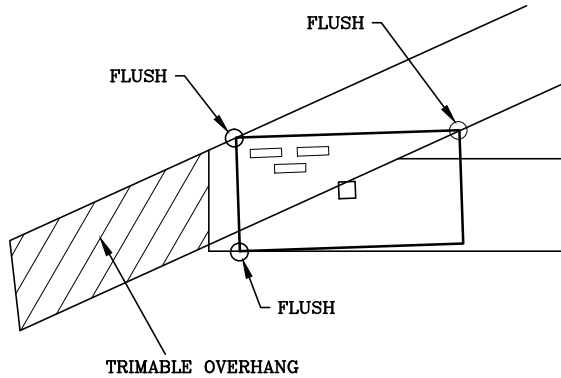


HEEL JOINT PLATE LOCATION DETAILS

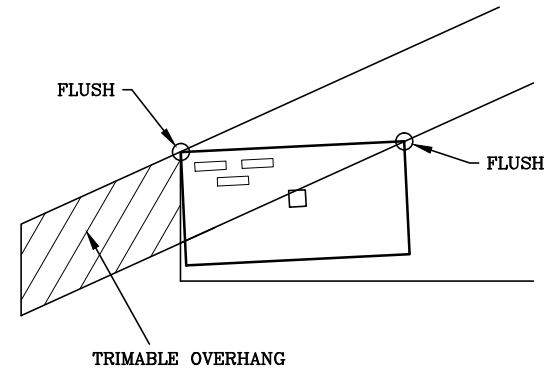
B7RT

LEFT SIDE OF PLATE CORNERS FLUSH TO TOP AND BOTTOM CHORD
 UPPER RIGHT CORNER OF PLATE FLUSH TO UNDERSIDE OF TOP CHORD.



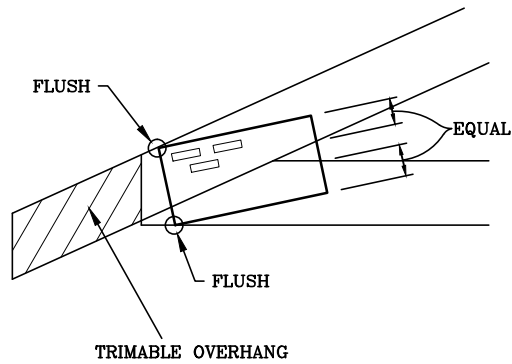
B8RT

UPPER LEFT CORNER OF PLATE FLUSH TO TOP OF HEEL
 UPPER RIGHT CORNER OF PLATE FLUSH TO UNDERSIDE OF TOP CHORD.



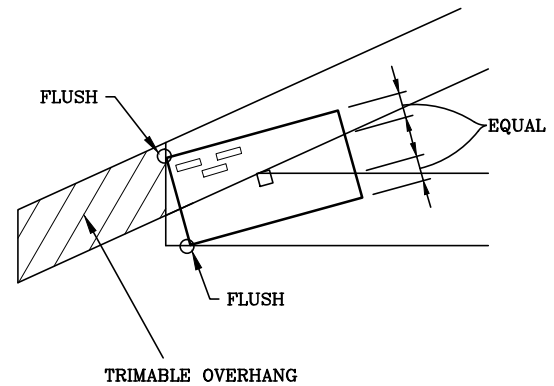
B9RT

LEFT SIDE OF PLATE CORNERS FLUSH TO TOP AND BOTTOM CHORD
 RIGHT SIDE OF PLATE SYMMETRICAL TO TOP AND BOTTOM CHORD AS SHOWN.



B10RT

LEFT SIDE OF PLATE FLUSH TO HEEL AND BOTTOM CHORD
 RIGHT SIDE OF PLATE SYMMETRICAL TO TOP AND BOTTOM CHORD AS SHOWN



13389 Lakefront Drive
 Earth City, MO 63045

- NOTES:
 WEDGE/SLIDER MAY BE REQUIRED AS SPECIFIED ON SEALED DESIGN.
 ○ LOCATES PLATE CORNER OR FLUSH EDGE.
 □ LOCATES PLATE CENTER.

NON-STANDARD HEEL

160
BT

B7RT THROUGH B10RT

DATE 10/01/14