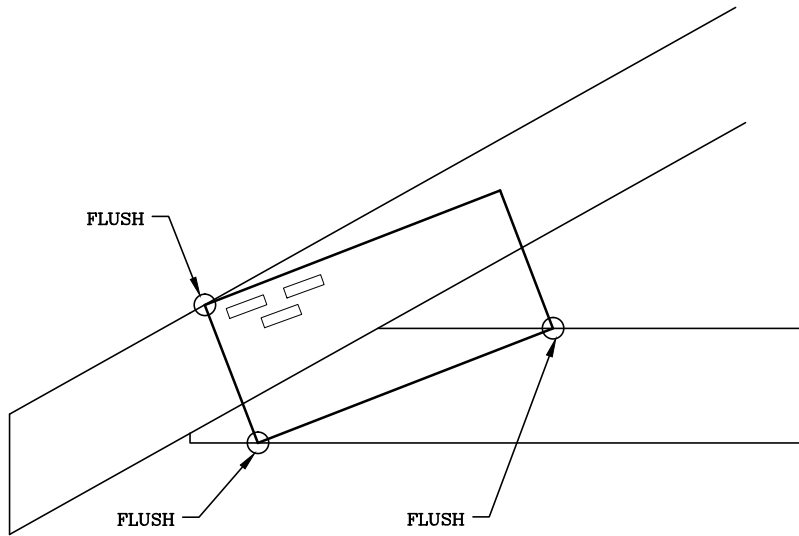


HEEL JOINT PLATE LOCATION DETAILS

B11R

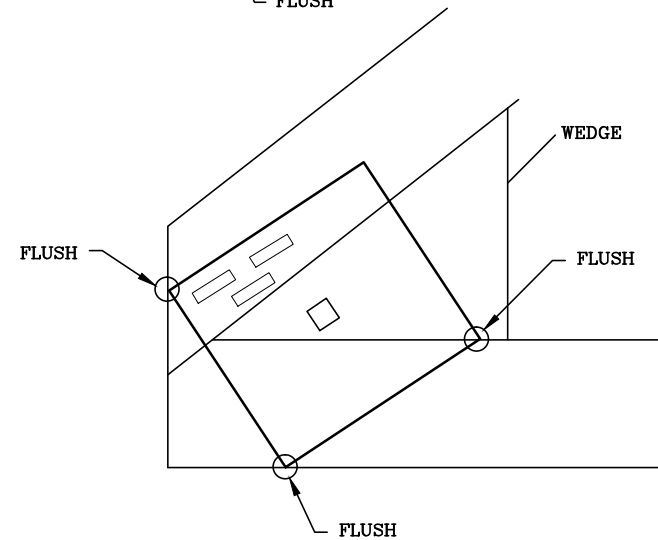
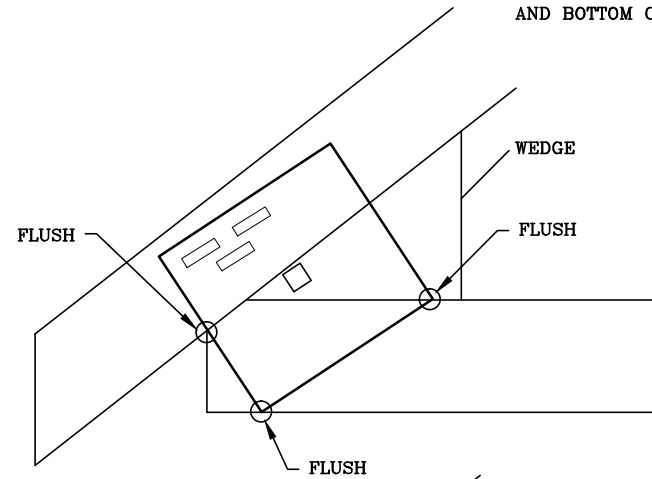
LEFT SIDE OF PLATE CORNERS FLUSH TO TOP AND BOTTOM CHORD
 LOWER RIGHT CORNER OF PLATE FLUSH TO UPPER EDGE OF BOTTOM CHORD



B12R

LOWER RIGHT CORNER OF PLATE FLUSH TO UPPER EDGE OF BOTTOM CHORD

WITH OVERHANG:
 LEFT SIDE OF PLATE FLUSH TO BOTTOM CHORD AND LEFT SIDE OF SCARF.
 WITHOUT OVERHANG:
 LEFT SIDE OF PLATE FLUSH TO HEEL AND BOTTOM CHORD



13389 Lakefront Drive
 Earth City, MO 63045

NOTES:
 WEDGE/SLIDER MAY BE REQUIRED AS SPECIFIED ON SEALED DESIGN.
 ○ LOCATES PLATE CORNER OR FLUSH EDGE.
 □ LOCATES PLATE CENTER.

NON-STANDARD HEEL

160
 B

B11R THROUGH B12R

DATE 10/01/14