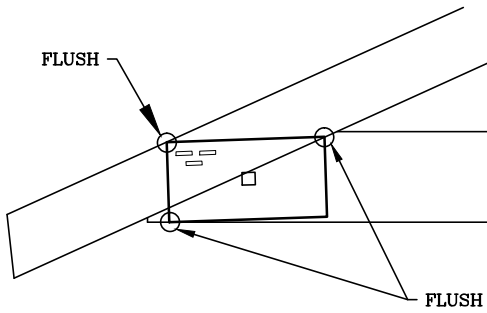


HEEL JOINT PLATE LOCATION DETAILS

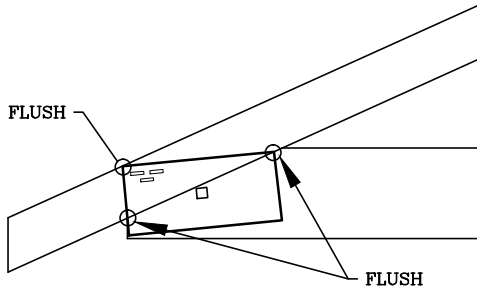
A7R

LEFT SIDE OF PLATE CORNERS FLUSH TO TOP AND BOTTOM CHORD
UPPER RIGHT CORNER OF PLATE FLUSH TO SCARF



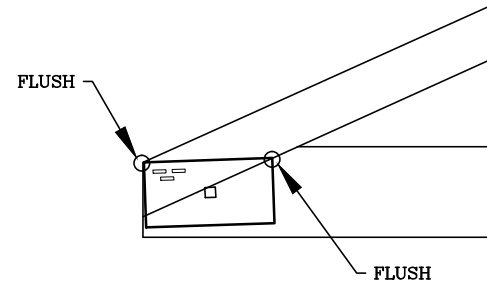
A8R

UPPER RIGHT CORNER OF PLATE FLUSH TO SCARF ALONG SCARF.



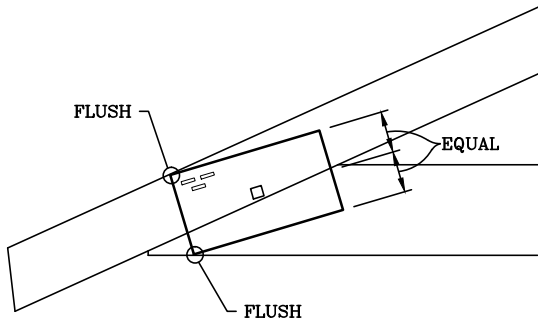
WITH OVERHANG:
LEFT SIDE OF PLATE FLUSH TO TOP CHORD AND LEFT SIDE OF SCARF.

WITHOUT OVERHANG:
UPPER LEFT CORNER OF PLATE FLUSH TO TOP OF HEEL.



A9R

LEFT SIDE OF PLATE CORNERS FLUSH TO TOP AND BOTTOM CHORD
RIGHT SIDE OF PLATE SYMMETRICAL TO SCARF

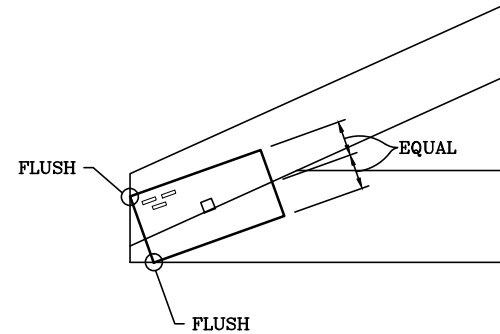
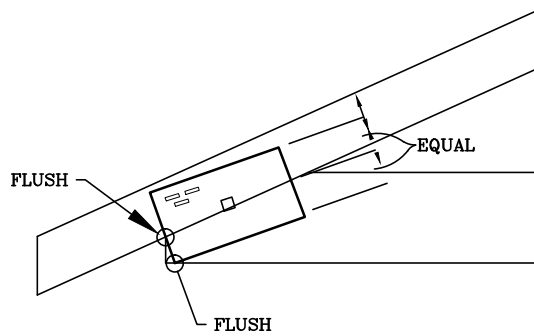


A10R

RIGHT SIDE OF PLATE SYMMETRICAL TO SCARF.

WITH OVERHANG:
LEFT SIDE OF PLATE FLUSH TO BOTTOM CHORD AND LEFT SIDE OF SCARF.

WITHOUT OVERHANG:
LEFT SIDE OF PLATE FLUSH TO HEEL AND BOTTOM CHORD



13389 Lakefront Drive
Earth City, MO 63045

- NOTES:
ALL PLATES ARE CENTERED VERTICALLY ON SCARF.
○ LOCATES PLATE CORNER OR FLUSH EDGE.
□ LOCATES PLATE CENTER.
+ LOCATES CENTER OF SCARF.

STANDARD HEEL

160
A

A7R THROUGH A10R

DATE 10/01/14