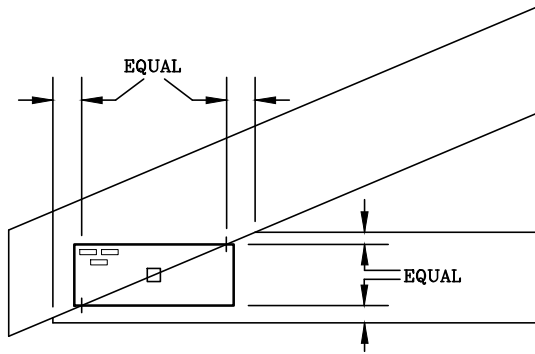


HEEL JOINT PLATE LOCATION DETAILS

A1

PLATE CENTERED HORIZONTALLY ON SCARF.

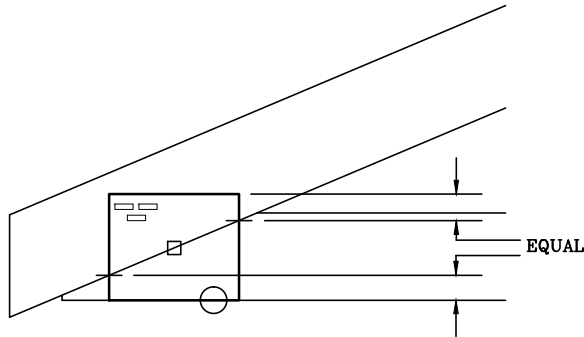


A2

PLATE HELD FLUSH WITH BOTTOM EDGE OF BOTTOM CHORD.

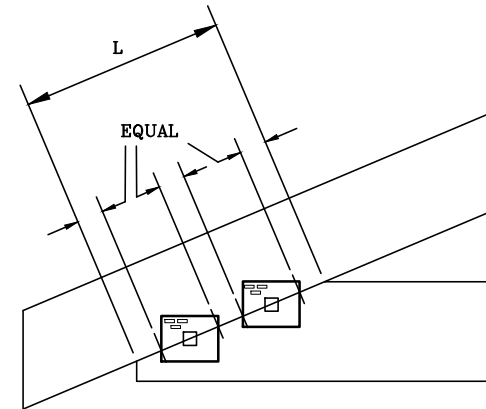
PLATE CENTER MAY BE SHIFTED INWARD ALONG SCARF.

PLATE CENTER MAY NOT BE SHIFTED BEYOND THE SCARF END.



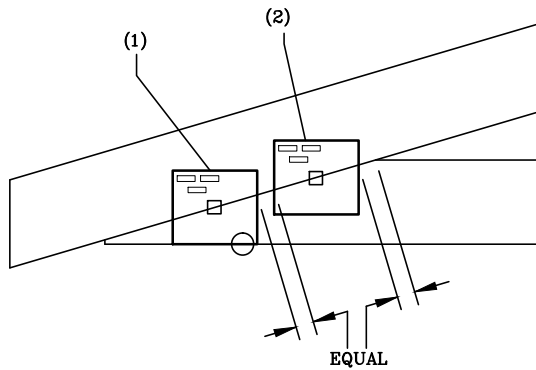
A3

PLATES EQUALLY SPACED AS SHOWN.



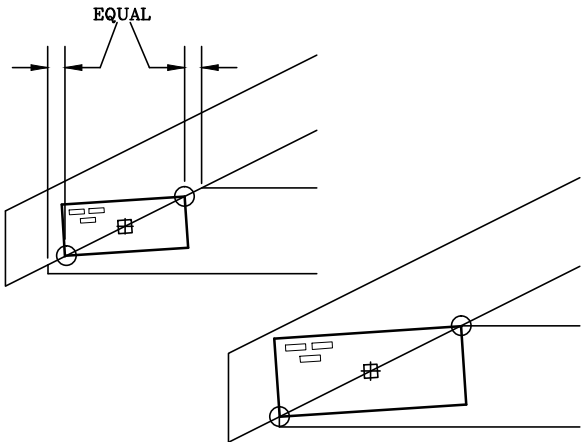
A4

- (1) PLATE HELD FLUSH WITH BOTTOM EDGE OF BOTTOM CHORD.
- (2) PLATE EQUALLY SPACED AS SHOWN.



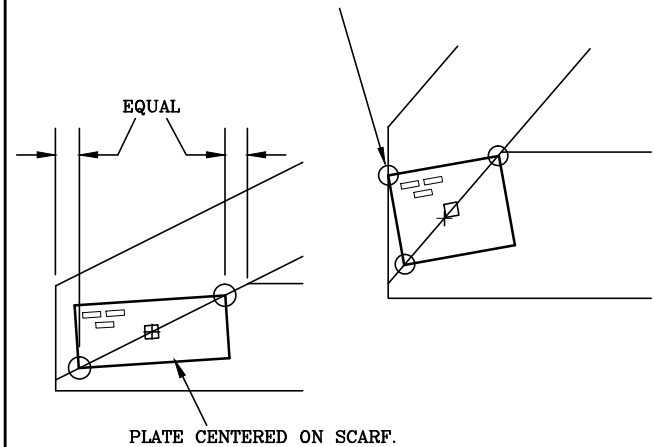
A5R

- WITH OVERHANG.
- PLATE MAY EXTEND INTO TRUSS OVERHANG.
- PLATE CENTERED ON SCARF.



A6R

- WITHOUT OVERHANG.
- UPPER CORNER OF PLATE MUST BE IN CONTACT WITH END OF TOP CHORD AND WILL NOT EXTEND BEYOND HEEL.



13389 Lakefront Drive
Earth City, MO 63045

- NOTES:
- ALL PLATES ARE CENTERED VERTICALLY ON SCARF.
 - LOCATES PLATE CORNER OR FLUSH EDGE.
 - LOCATES PLATE CENTER.
 - + LOCATES CENTER OF SCARF.

STANDARD HEEL

160
A

A1 THROUGH A6R

DATE 10/01/14