

# STH SERIES HANGER INSTALLATION DETAILS

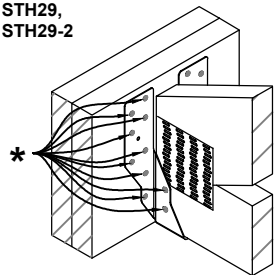
## Notes:

- Fill all required fastener holes with the fasteners specified for that product.
- For face mount installation, when more holes in header flanges are available than required fasteners, fasteners must be evenly divided between header flanges and placed in the lowermost 4 holes in each header flange and the uppermost available 2 holes of each header flange, with remaining fasteners evenly distributed throughout remaining header flange holes.
- For top mount installations, fasteners in top and face of header must be evenly divided between header flanges. The furthest fastener in each top flange from the hanger face of the header must be at least 2" for the STH218-2, STH418, STH222-2, STH422 and STH426, and 2.25" for the STH29, STH29-2, STH422-2, STH426-2, STH422-2R and STH426-2R. Fasteners in face are evenly applied in the lowermost holes of each header flange.
- All fasteners must be placed a minimum of 1/4" from any edge of members.
- STH hangers may be installed with one strap top mounted and one strap face mounted over header, use lowest of the top and face allowable load for connection (see ALT. INST. detail shown below for example).
- Fasteners are located in the same holes for the reverse flange option.
- Allowable loads may be limited for compliance with ANSI/TPI 1 when no fasteners are located more the 85% of the member depth away from the member edge nearest to the hanger seat.
- Alpine ITW reserves the right to change specifications, designs and products without notice or liability for such changes.
- Do not modify product or deviate from specified installation shown in catalog or details.

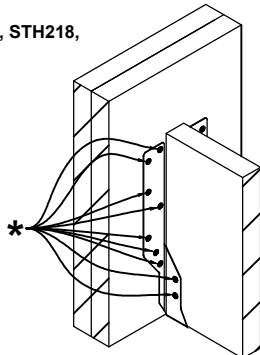
- Allowable loads based on installation with no gap between supported and supporting members.
- Joist must bear completely on connector seat.
- All references to nominal lumber sizes relate to dressed or Surfaced Four Sides dimensions.
- Nails must be manufactured in compliance with the requirements of ASTM F1667. Refer to NDS (National Design Specification) for additional nail information.
- Unless otherwise specified, allowable loads for Alpine products are designed for use with dry lumber with a maximum moisture content of 19 percent for solid sawn lumber and 16 percent for engineered wood products.
- Multi-ply members must be fastened together to act as one member to resist the applied load. Special attention must be paid to the location of the multi-ply member fasteners so as not to interfere with product installation.
- Install all specified fasteners before loading the connection.
- Use proper safety equipment.

In addition to these general notes and information provided on the product engineering detail; installers, designers, engineers and consumers should consult the Alpine Hardware website at [www.itwbcghardware.com](http://www.itwbcghardware.com) and Alpine Hardware catalog to obtain additional design and installation information.

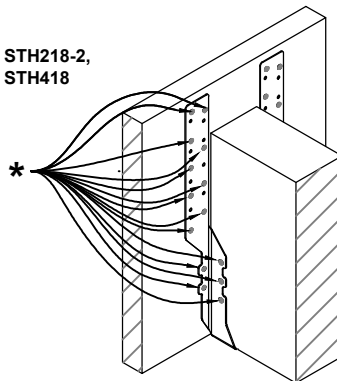
STH29,  
STH29-2



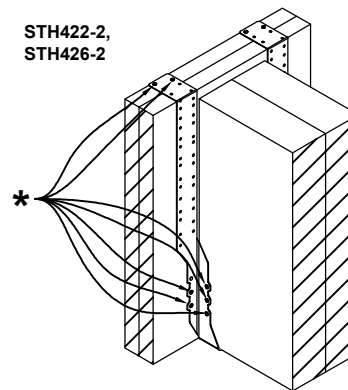
STH213, STH218,  
STH413



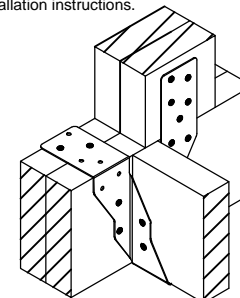
STH218-2,  
STH418



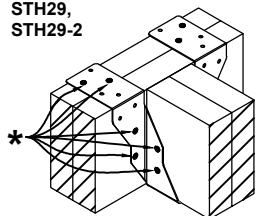
STH422-2,  
STH426-2



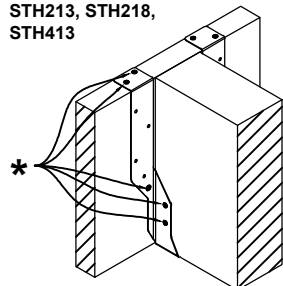
**ALT. INST.**  
See Note 5 above for alternate installation instructions.



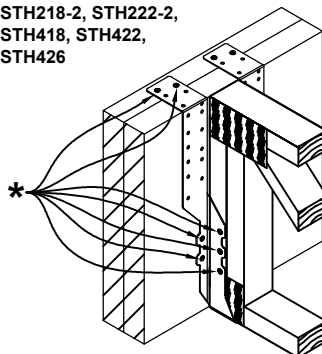
STH29,  
STH29-2



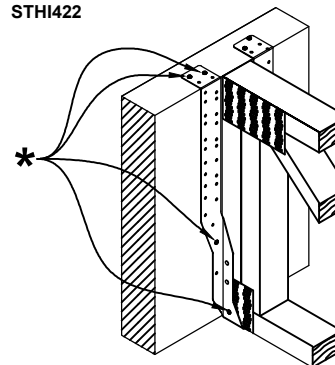
STH213, STH218,  
STH413



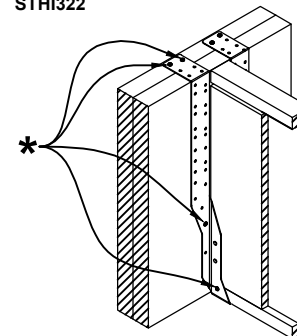
STH218-2, STH222-2,  
STH418, STH422,  
STH426



STH422



STH11.81/22, STH1222,  
STH1322



\* Minimum fasteners required on each side of joist.



13389 Lakefront Drive  
Earth City, MO 63045

**\*\*WARNING\*\* READ AND FOLLOW ALL NOTES ON THIS DRAWING!**

**\*\*IMPORTANT\*\* FURNISH THIS DRAWING TO ALL CONTRACTORS INCLUDING THE INSTALLERS**

Trusses require extreme care in fabricating, handling, shipping, installing and bracing. Refer to and follow the latest edition of BCSI (Building Component Safety Information, by TPI and SBCA) for safety practices prior to performing these functions. Installers shall provide temporary bracing per BCSI. Unless noted otherwise, top chord of truss shall have properly attached structural sheathing and bottom chord of truss shall have a properly attached rigid ceiling. Framing members shall be adequately braced with properly attached structural sheathing and other bracing as required by manufacturer's details, literature and specifications. Unless otherwise indicated, framing members are designed with all load applied to the top edge of the member.

Alpine, a division of ITW Building Components Group, Inc. shall not be responsible for any deviation from this drawing, or for fabrication, handling, shipping, installation and bracing of trusses or framing members. A seal on this drawing or cover page listing this drawing, indicates acceptance of professional engineering responsibility solely for the connection shown. The suitability and use of this drawing for any structure is the responsibility of the Building Designer.

REF: STH HANGER

DATE:  
4-29-2015

R1:  
R4:

R2:  
R5:

R3:  
R6:

DWG: STHINSTL0415