



Catalog Supplement

CONSTRUCTION HARDWARE

ATH – Adjustable Truss Hangers

The ATH Adjustable Truss Hanger series is a partially discontinued hanger product line. In 2015 Alpine introduced the new STH series to replace the most common adjustable strap truss hangers. Please see page 34 in the Alpine Structural Connectors Catalog for more information about the STH series.

The chart below provides an overview of the primary substitutions for discontinued products. The STH422 is still under development and will be available in late 2015.

Alpine Current Product Code	Discontinued Product Code	Reference no.
STH213	ATH213	THA213
STH218	ATH218	THA218
STH29	ATH29	THA29
STH29-2	-	-
STH413	ATH413	THA413
STH418	ATH418	THA418
STH422	ATH422	THA422
STH422-2	ATH422-2	THA422-2
STH426	ATH426	THA426
STH426-2	ATH426-2	THA426-2
STHI1.81/22	ATHI1.81/22	THAI1.81/22
STHI222	ATHI222	THAI222
STHI422	ATHI422	THAI422
STH422-2R	ATH422-2R	THAC422-2
STH426-2R	ATH426-2R	THAC426-2
STH218-2	ATH218-2	THA218-2
STH222-2	ATH222-2	THA222-2
STHI322	ATHI322	THAI322

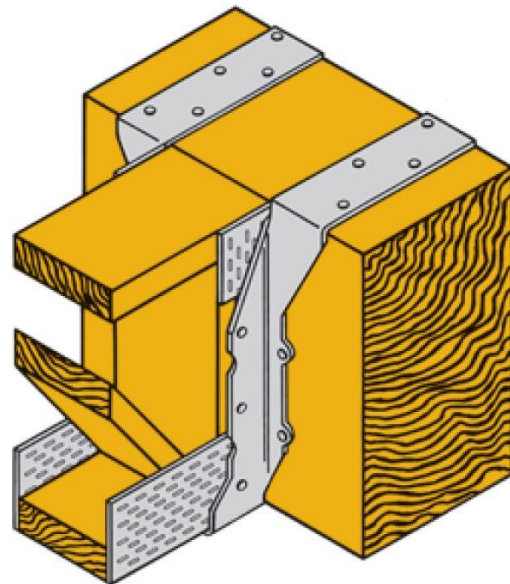
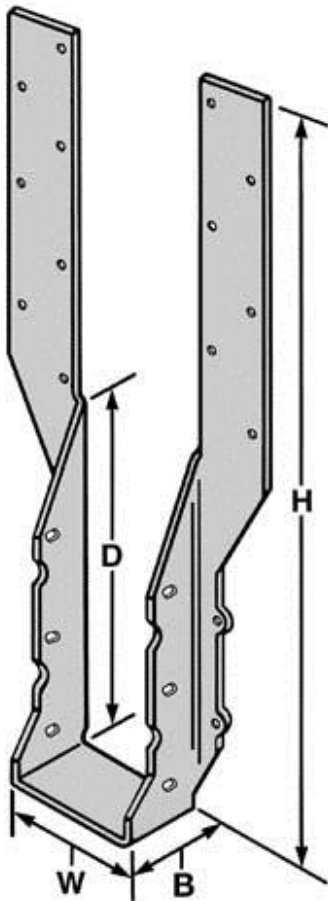
Continued - next page.

Additional products are still available for the ATH series, including I-joist, Skewed, and Reverse Flange options. Use the tables below for detailed design and installation information about these products.

ATH422 and Reverse Flange Options

PRODUCT CODE	REF NO	JOIST SIZE	MATERIAL	DIMENSIONS (INCHES)				NAIL SCHEDULE			DESIGN LOAD		UPLIFT LBS
				B	D	W	H	HEADER		JOIST	NORMAL LBS	MAX LBS	
								TOP	FACE				
ATH422	THA422	4 x 10	16 ga gal	1 ¾	8	3 ⅝	22	2-16d	4-16d	6-16d	2805	3010	1080
ATH422R	THAC422	4 x 10	16 ga gal	1 ¾	7 ⅞	3 ⅝	22	2-16d	4-16d	6-16d	2805	3010	1080
ATH426R	THAC426	4 x 2 Truss	14 ga gal	2 ½	7 ⅞	3 ⅝	26	2-16d	4-16d	6-16d	2805	3010	1080

ATH Illustrations

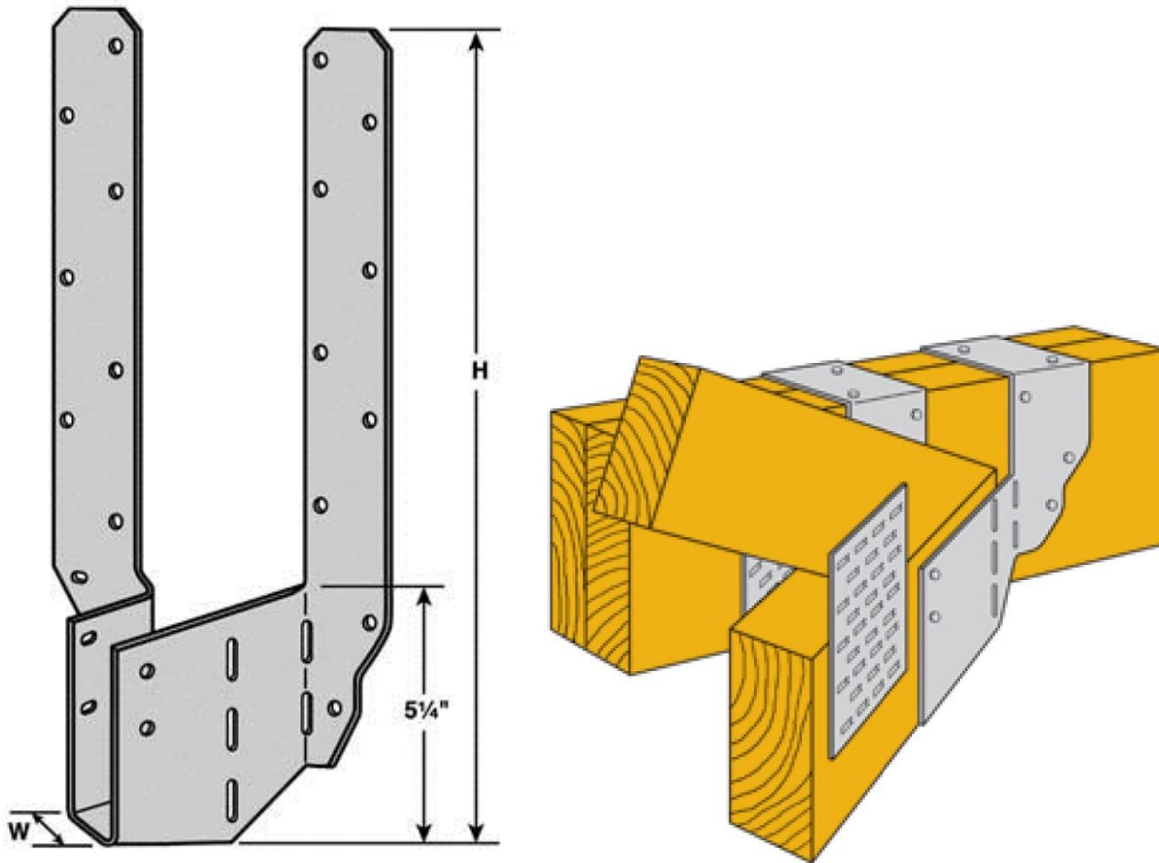


Continued – next page.

ATH Skewed Options

PRODUCT CODE	REF NO	NAIL SCHEDULE			DESIGN LOAD (LBS)			UPLIFT (1.33)
		Top	Face	Joist	LVL/DF/SP Species Header			
					Floor (100%)	Snow (115%)	Roof (125%)	
Factory Skew 45°								
ATHSL/R 218 Min	THASL/R218 Min	4-10d	6-10d	4-10d x 1½	1430	1430	1430	350
ATHSL/R 218 Max	THASL/R218 Max	-	14-10d	4-10d x 1½	1430	1430	1430	350
ATHSL/R 218-2 Min	THASL/R218-2 Min	4-10d	6-10d	4-10d x 1½	1430	1430	1430	350
ATHSL/R 218-2 Max	THASL/R218-2 Max	-	12-10d	4-10d x 1½	1350	1430	1430	350
Field Skew 46° to 84°								
ATHSL/R 218 Min	THASL/R 218 Min	4-10d	6-10d	4-10d x 1½	1215	1215	1215	350
ATHSL/R 218 Max	THASL/R 218 Max	-	12-10d	4-10d x 1½	1215	1215	1215	350
ATHSL/R 218-2 Min	THASL/R 218-2 Min	4-10d	6-10d	4-10d x 1½	1215	1215	1215	350
ATHSL/R 218-2 Max	THASL/R 218-2 Max	-	12-10d	4-10d x 1½	1215	1215	1215	350

ATHSL/R Illustrations



Continued – next page.

ATHI I-Joist Options

PRODUCT CODE	REF NO	JOIST DIMENSIONS		HANGER DIMENSIONS		
		(Inches)		(Inches)		
		Width	Depth	W	H	C
ATHI-2	THAI-2	3 to 5 ¹ / ₄	9 ¹ / ₄ -14	3 ¹ / ₈ to 5 ⁵ / ₁₆	22 ¹¹ / ₁₆	8 ¹³ / ₁₆

PRODUCT CODE (Nailing Options)	REF NO	NAIL SCHEDULE			DESIGN LOAD (LBS)			UPLIFT (1.33)
		(Inches)			LVL/DF/SP SPECIES HEADER			
		TOP	FACE	JOIST	FLOOR (1.00)	SNOW (1.15)	FLOOR (1.25)	
ATHI-2 Min	THAI-2 Min	4-10d	2-10d	2-10d x 1 ¹ / ₂	2195	2195	2195	—
ATHI-2 Max	THAI-2 Max	—	30-10d	2-10d x 1 ¹ / ₂	3445	3960	3960	215

ATHI Illustrations

