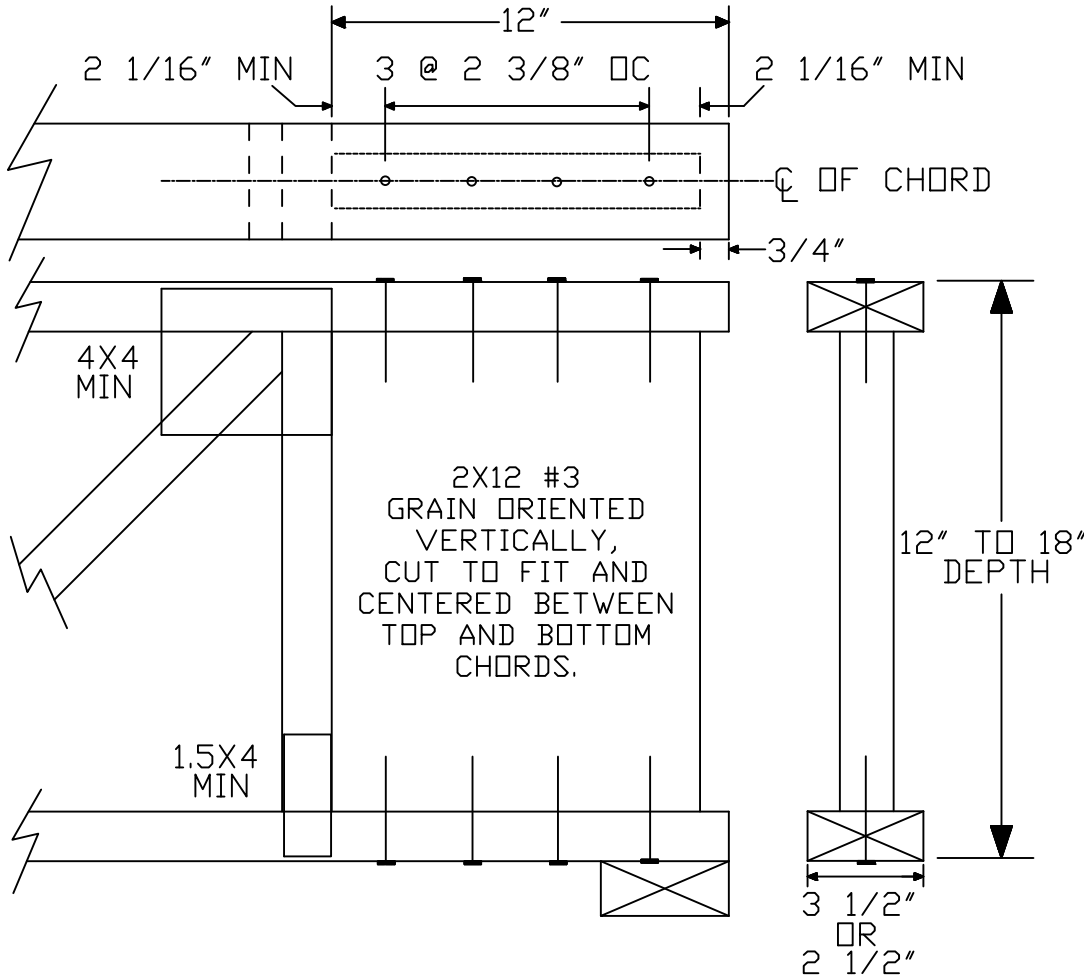


# VERTICAL GRAINED SOLID SAWN TRIMMABLE END DETAIL

(4) 16d COMMON (0.162"X3.5") NAILS  
THROUGH TOP AND BOTTOM CHORD



THIS TRUSS DETAIL APPLIES TO 4X2 AND 3X2 TRUSSES ONLY.

MAX SPAN NOT TO EXCEED 26'.

THIS TRUSS END MAY BE TRIMMED UP TO 12". DO NOT CUT METAL CONNECTOR PLATES.

REFER TO ENGINEER'S SEALED DESIGN REFERENCING THIS DETAIL FOR LUMBER, PLATES, AND OTHER INFORMATION NOT SHOWN.

PERIMETER BANDS, BLOCKING, AND CONNECTIONS ARE TO BE DESIGNED BY BUILDING DESIGNER.

PLATE AT THE JOINT OF THE TOP CHORD AND INNER VERTICAL AT TRIMMABLE END MUST BE AT LEAST 4X4.

PLATE AT THE JOINT OF THE BOTTOM CHORD AND INNER VERTICAL AT TRIMMABLE END MUST BE AT LEAST 1.5X4.

THE END PANELS ON THE TRIMMABLE END DESIGN DRAWING MAY BE REPLACED WITH THIS DETAIL.

MAX LOADING IS 110 PLF.

**WARNING** READ AND FOLLOW ALL NOTES ON THIS DRAWING  
**IMPORTANT** FURNISH THIS DRAWING TO ALL CONTRACTORS INCLUDING THE INSTALLERS.

Trusses require extreme care in fabricating, handling, shipping, installing and bracing. Refer to and follow the latest edition of BCSI (Building Component Safety Information, by TPI and SBCA) for safety practices prior to performing these functions. Installers shall provide temporary bracing per BCSI. Unless noted otherwise, top chord shall have properly attached structural sheathing and bottom chord shall have a properly attached rigid ceiling. Locations shown for permanent lateral restraint of webs shall have bracing installed per BCSI sections B3, B7 or B10, as applicable. Apply plates to each face of truss and position as shown above and on the Joint Details, unless noted otherwise. Refer to drawings 160A-Z for standard plate positions.

Alpine, a division of ITW Building Components Group Inc. shall not be responsible for any deviation from this drawing, any failure to build the truss in conformance with ANSI/TPI 1, or for handling, shipping, installation & bracing of trusses.

A seal on this drawing or cover page listing this drawing, indicates acceptance of professional engineering responsibility solely for the design shown. The suitability and use of this drawing for any structure is the responsibility of the Building Designer per ANSI/TPI 1 Sec.2.

For more information see this Job's general notes page and these web sites:  
ALPINE: [www.alpineitw.com](http://www.alpineitw.com) TPI: [www.tpinst.org](http://www.tpinst.org) SBCA: [www.sbcindustry.org](http://www.sbcindustry.org) ICC: [www.iccsafe.org](http://www.iccsafe.org)



13389 Lakefront Drive  
Earth City, MO 63045

TC LL	40 PSF	REF TRIMMABLE ENDS
TC DL	10 PSF	DATE 10/01/14
BC DL	5 PSF	DRWG TRIMSAWN1014
BC LL	0 PSF	
TOT. LD.	55 PSF	
DUR. FAC.	1.00	
SPACING	24.0"	