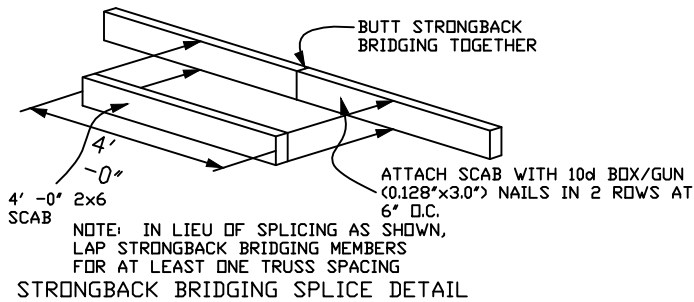
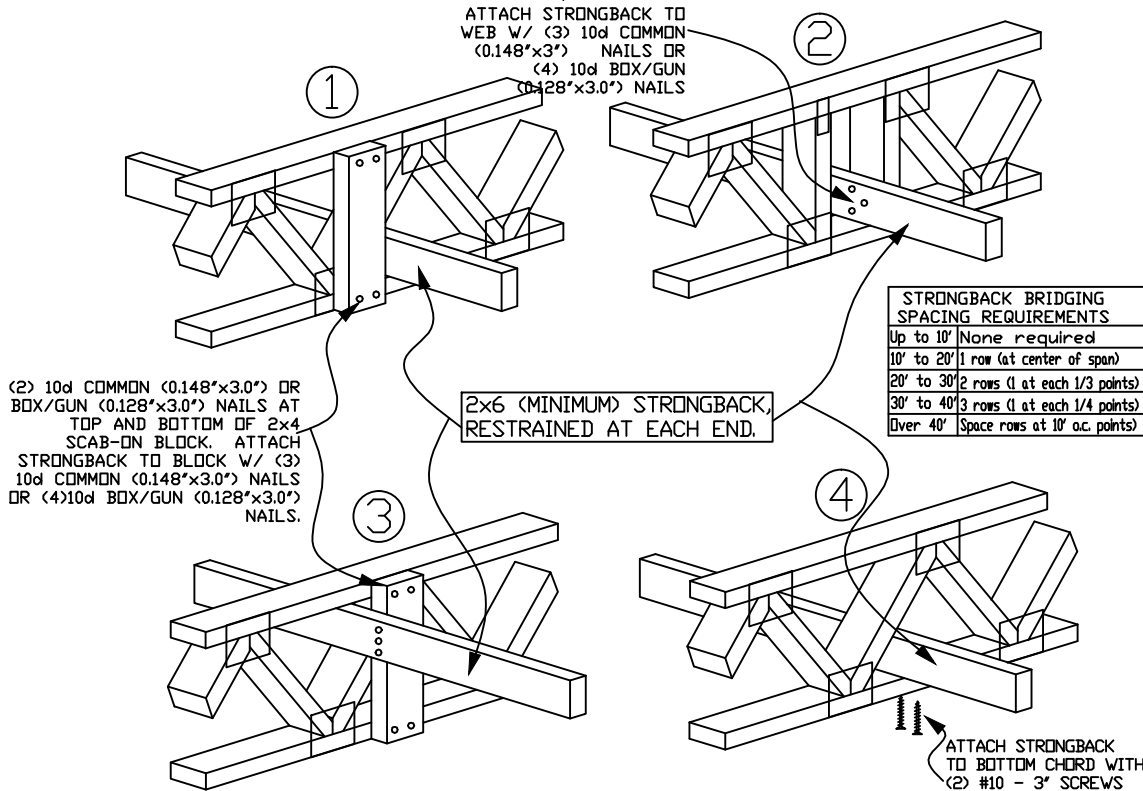


STRONGBACK BRIDGING RECOMMENDATIONS



STRONGBACK BRIDGING SPLICE DETAIL

NOTE: Details 1 and 2 are the preferred attachment methods



STRONGBACK BRIDGING ATTACHMENT ALTERNATIVES

- ▶ All scab-on blocks shall be a minimum 2x4 "stress graded lumber."
 - ▶ All strongback bridging and bracing shall be a minimum 2x6 "stress graded lumber."
 - ▶ The purpose of strongback bridging is to develop load sharing between individual trusses, resulting in an overall increase in the stiffness of the floor system. 2x6 strongback bridging, positioned as shown in details, is recommended at 10' - 0" o.c. (max.)
 - ▶ The terms "bridging" and "bracing" are sometimes mistakenly used interchangeably. "Bracing" is an important structural requirement of any floor or roof system. Refer to the Truss Design Drawing (TDD) for the bracing requirements for each individual truss component. "Bridging," particularly "strongback bridging" is a recommendation for a truss system to help control vibration. In addition to aiding in the distribution of point loads between adjacent truss, strongback bridging serves to reduce "bounce" or residual vibration resulting from moving point loads, such as footsteps.
- The performance of all floor systems are enhanced by the installation of strongback bridging and therefore is strongly recommended by Alpine.
- For additional information regarding strongback bridging, refer to BCSI (Building Component Safety Information).



13389 Lakefront Drive
Earth City, MO 63045

*****WARNING*** READ AND FOLLOW ALL NOTES ON THIS DRAWING
IMPORTANT FURNISH THIS DRAWING TO ALL CONTRACTORS INCLUDING THE INSTALLERS.**

Trusses require extreme care in fabricating, handling, shipping, installing and bracing. Refer to and follow the latest edition of BCSI (Building Component Safety Information, by TPI and SBCA) for safety practices prior to performing these functions. Installers shall provide temporary bracing per BCSI. Unless noted otherwise, top chord shall have properly attached structural sheathing and bottom chord shall have a properly attached rigid ceiling. Locations shown for permanent lateral restraint of webs shall have bracing installed per BCSI sections B3, B7 or B10, as applicable. Apply plates to each face of truss and position as shown above and on the Joint Details, unless noted otherwise. Refer to drawings 160A-Z for standard plate positions.

Alpine, a division of ITW Building Components Group Inc. shall not be responsible for any deviation from this drawing, any failure to build the truss in conformance with ANSI/TPI 1, or for handling, shipping, installation & bracing of trusses.

A seal on this drawing or cover page listing this drawing, indicates acceptance of professional engineering responsibility solely for the design shown. The suitability and use of this drawing for any structure is the responsibility of the Building Designer per ANSI/TPI 1 Sec.2.

For more information see this job's general notes page and these web sites:
ALPINE: www.alpineitw.com TPI: www.tpinst.org SBCA: www.sbcindustry.org ICC: www.iccsafe.org

TC LL	PSF	REF	STRONGBACK
TC DL	PSF	DATE	10/01/14
BC DL	PSF	DRWG	STRBRIBR1014
BC LL	PSF		
TOT. LD.	PSF		
DUR. FAC.	1.00		
SPACING			