

# TRULOX CONNECTION DETAIL

0.120" X 1.375" NAILS REQUIRED FOR TRULOX PLATE ATTACHMENT. FILL ROWS COMPLETELY WHERE SHOWN. (⊕)

\* NAILS MAY BE OMITTED FROM THESE ROWS.

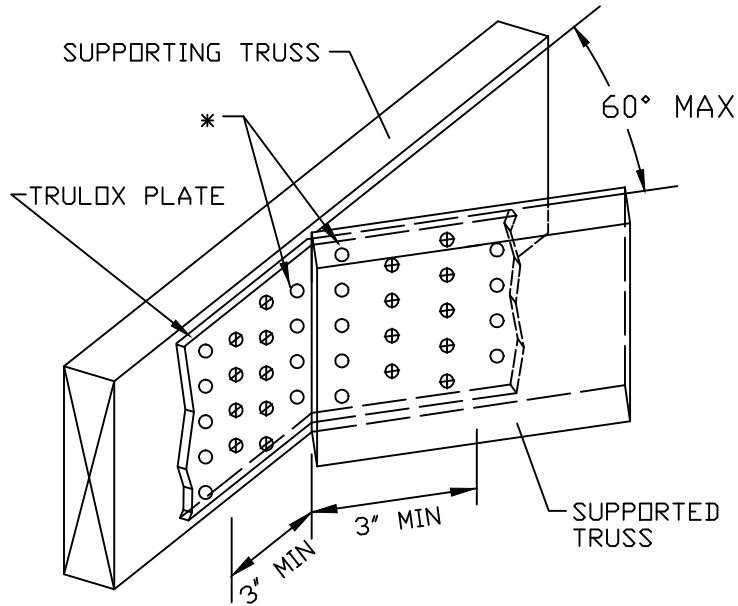
THIS DETAIL MAY BE USED WITH SO. PINE, DOUGLAS FIR-LARCH, HEM-FIR, OR SPRUCE-PINE-FIR. CHORD SIZE OF BOTH TRUSSES MUST EXCEED THE TRULOX PLATE WIDTH. NO INCREASE FOR LOAD DURATION MAY BE APPLIED TO VALUES SHOWN IN THE TABLE BELOW.

TRULOX PLATE IS CENTERED ON THE CHORDS AND BENT BETWEEN NAIL COLUMNS.

REFER TO ENGINEER'S SEALED DESIGN REFERENCING THIS DETAIL FOR LUMBER, PLATES, AND OTHER INFORMATION NOT SHOWN.

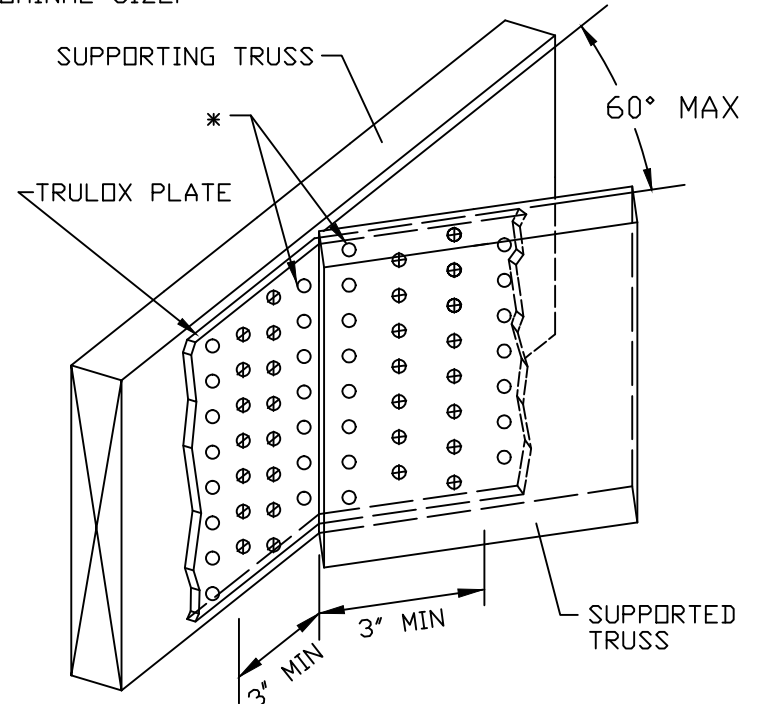
MEMBER SIZE SHALL NOT DIFFER BY MORE THAN 1 NOMINAL SIZE.

PLAN VIEW



MINIMUM 3X6 TRULOX PLATE

TRULOX PLATE SIZE	REQUIRED NAILS PER TRUSS	MAXIMUM LOAD UP OR DOWN
3X6	9	350#
5X6	15	990#



MINIMUM 5X6 TRULOX PLATE



13389 Lakefront Drive  
Earth City, MO 63045

**WARNING** READ AND FOLLOW ALL NOTES ON THIS DRAWING  
**IMPORTANT** FURNISH THIS DRAWING TO ALL CONTRACTORS INCLUDING THE INSTALLERS.

Trusses require extreme care in fabricating, handling, shipping, installing and bracing. Refer to and follow the latest edition of BCSI (Building Component Safety Information, by TPI and SBCA) for safety practices prior to performing these functions. Installers shall provide temporary bracing per BCSI. Unless noted otherwise, top chord shall have properly attached structural sheathing and bottom chord shall have a properly attached rigid ceiling. Locations shown for permanent lateral restraint of webs shall have bracing installed per BCSI sections B3, B7 or B10, as applicable. Apply plates to each face of truss and position as shown above and on the Joint Details, unless noted otherwise. Refer to drawings 160A-Z for standard plate positions.

Alpine, a division of ITW Building Components Group Inc. shall not be responsible for any deviation from this drawing, any failure to build the truss in conformance with ANSI/TPI 1, or for handling, shipping, installation & bracing of trusses.

A seal on this drawing or cover page listing this drawing, indicates acceptance of professional engineering responsibility solely for the design shown. The suitability and use of this drawing for any structure is the responsibility of the Building Designer per ANSI/TPI 1 Sec.2.

For more information see this Job's general notes page and these web sites:  
ALPINE: [www.alpineitw.com](http://www.alpineitw.com); TPI: [www.tpinst.org](http://www.tpinst.org); SBCA: [www.sbcindustry.org](http://www.sbcindustry.org); ICC: [www.iccsafe.org](http://www.iccsafe.org)

REF TRULOX  
DATE 10/01/14  
DRWG CNTRULOX1014