

CLR Reinforcing Member Substitution

This detail is to be used when a Continuous Lateral Restraint (CLR) is specified on a truss design but an alternative web reinforcement method is desired.

Notes:

This detail is only applicable for changing the specified CLR shown on single ply sealed designs to T-reinforcement or L-reinforcement or scab reinforcement.

Alternative reinforcement specified in chart below may be conservative. For minimum alternative reinforcement, re-run design with appropriate reinforcement type.

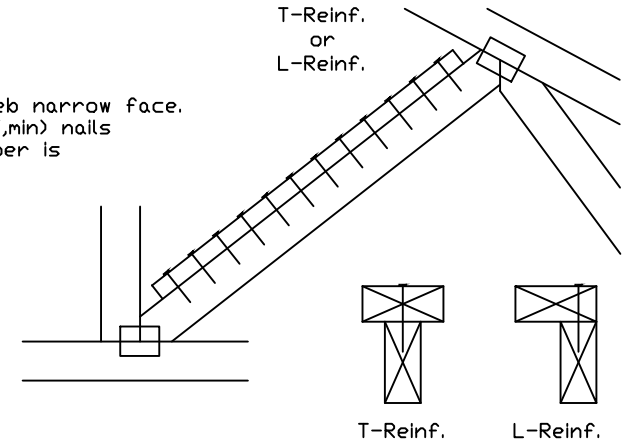
| Web Member Size | Specified CLR Restraint | Alternative Reinforcement T- or L- Reinf. | Scab Reinf. |
|-----------------|-------------------------|---|-------------|
| 2x3 or 2x4 | 1 row | 2x4 | 1-2x4 |
| 2x3 or 2x4 | 2 rows | 2x6 or 2x4 | 2-2x4 |
| 2x6 | 1 row | 2x4 | 1-2x6 |
| 2x6 | 2 rows | 2x6 | 2-2x4(*) |
| 2x8 | 1 row | 2x6 | 1-2x8 |
| 2x8 | 2 rows | 2x6 | 2-2x6(*) |

T-reinforcement, L-reinforcement, or scab reinforcement to be same species and grade or better than web member unless specified otherwise on Engineer's sealed design.

(*) Center scab on wide face of web. Apply (1) scab to each face of web.

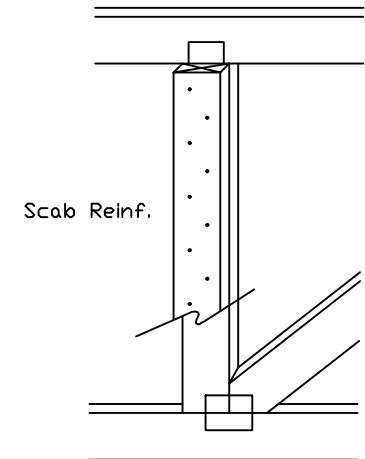
T-Reinforcement or L-Reinforcement:

Apply to either side of web narrow face. Attach with 10d (0.128"x3.0",min) nails at 6" o.c. Reinforcing member is a minimum 80% of web member length.



Scab Reinforcement:

Apply scab(s) to wide face of web. No more than (1) scab per face. Attach with 10d (0.128"x3.0",min) nails at 6" o.c. Reinforcing member is a minimum 80% of web member length.



13389 Lakefront Drive
Earth City, MO 63045

WARNING READ AND FOLLOW ALL NOTES ON THIS DRAWING ***IMPORTANT*** FURNISH THIS DRAWING TO ALL CONTRACTORS INCLUDING THE INSTALLERS.

Trusses require extreme care in fabricating, handling, shipping, installing and bracing. Refer to and follow the latest edition of BCSI (Building Component Safety Information, by TPI and SBCA) for safety practices prior to performing these functions. Installers shall provide temporary bracing per BCSI. Unless noted otherwise, top chord shall have properly attached structural sheathing and bottom chord shall have a properly attached rigid ceiling. Locations shown for permanent lateral restraint of webs shall have bracing installed per BCSI sections B3, B7 or B10, as applicable. Apply plates to each face of truss and position as shown above and on the Joint Details, unless noted otherwise. Refer to drawings 150A-Z for standard plate positions.

Alpine, a division of ITW Building Components Group Inc. shall not be responsible for any deviation from this drawing, any failure to build the truss in conformance with ANSI/TPI 1, or for handling, shipping, installation & bracing of trusses.

A seal on this drawing or cover page listing this drawing, indicates acceptance of professional engineering responsibility solely for the design shown. The suitability and use of this drawing for any structure is the responsibility of the Building Designer per ANSI/TPI 1 Sec.2.

For more information see this Job's general notes page and these web sites:
ALPINE: www.alpineitw.com; TPI: www.tpinst.org; SBCA: www.sbcindustry.org; ICC: www.iccsafe.org

| | | |
|-----------|-----|-------------------|
| TC LL | PSF | REF CLR Subst. |
| TC DL | PSF | DATE 10/01/14 |
| BC DL | PSF | DRWG BRCLBSUB1014 |
| BC LL | PSF | |
| TOT. LD. | PSF | |
| DUR. FAC. | | |
| SPACING | | |